

# Gift Islands



## Features & Finishes

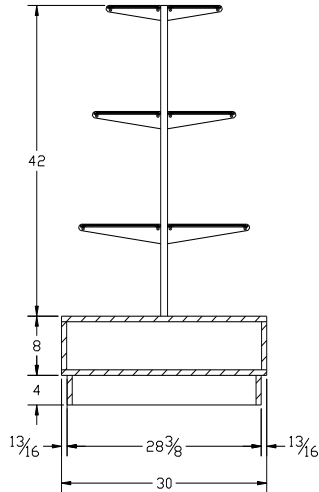
- Laminated Base (TFM)
- Six Glass Shelves (2-8" - 2-10" - 2-12")
- Laminated Top (HPL)
- Aluminum Corner Base Protector
- 8"H Base
- 4"H Kick

SPARTAN SHOWCASE IS A  
DIVISION OF PROCK OPERATIONS™

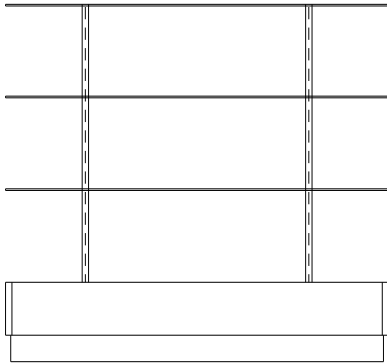
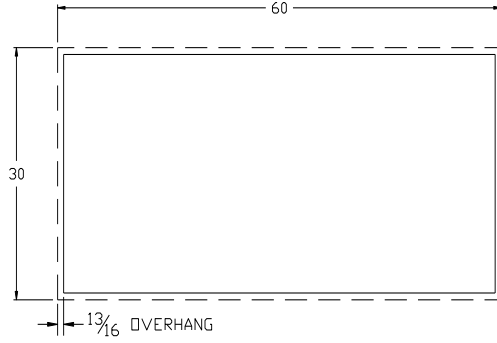
[sales@spartanshowcase.com](mailto:sales@spartanshowcase.com)  
Phone: 800.325.0775  
Fax: 573.265.5124



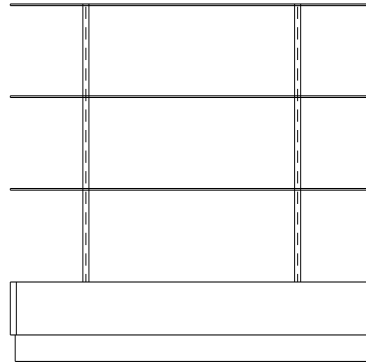
# Gift Islands



**Side Elevation**



**Front Elevation**



**Back Elevation**

Model No.	Dimension L X D X H
SGI60 DGI60	60" x 30" x 54" 60" x 30" x 54" (Lighted Base)

Options/Accessories
<ol style="list-style-type: none"> <li>1. Standard Finish HPL Base</li> <li>2. Without Corner Base Protectors</li> <li>3. 1/4" 1 Side of Doors</li> <li>4. 1 Tier of Drawers 1/2" Depth</li> </ol>

SPARTAN SHOWCASE IS A  
DIVISION OF PROCK OPERATIONS™

sales@spartanshowcase.com  
Phone: 800.325.0775  
Fax: 573.265.5124

