

93000 Series

Mini Tilt-Out Curved Front Non-Refrigerated Display Cases



Features & Finishes:

- Tilt-Out Curved Front Glass for Ease in Cleaning Glass
- White HPL Solid Top Work Surface
- Aluminum Framed, Manual Sliding, Mirror Doors
- Top Light & Removable Shelf Lights with T-8 Safety Coated Bulbs
- White HPL Exterior Finish
- White HPL Deck
- Mirror Ends
- Metal Shelf Pan Supports on Standards with Adjustable (Level to Slant) Brackets (40" Ht. – 2 Tiers) (48" Ht. – 3 Tiers)
- 12" Cord, Plug & Switch
- U.L. #65 Wired Cabinet Listed



SPARTAN SHOWCASE IS A
DIVISION OF PROCK OPERATIONS™

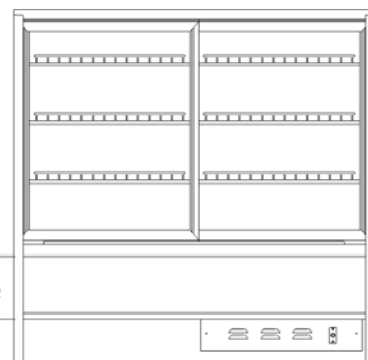
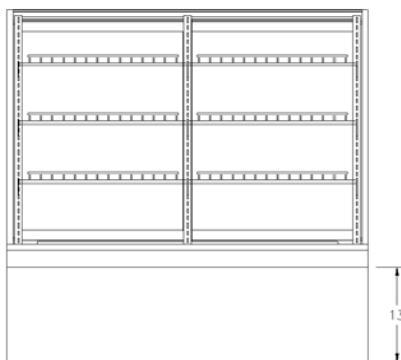
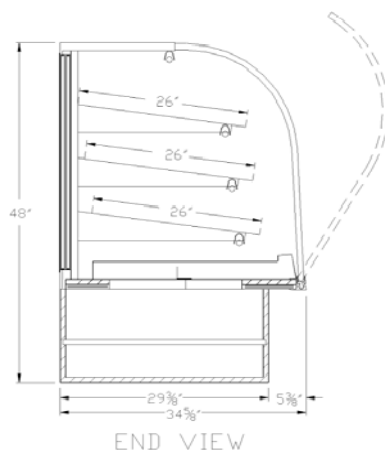
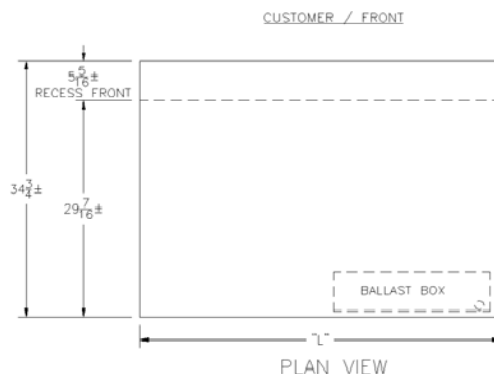
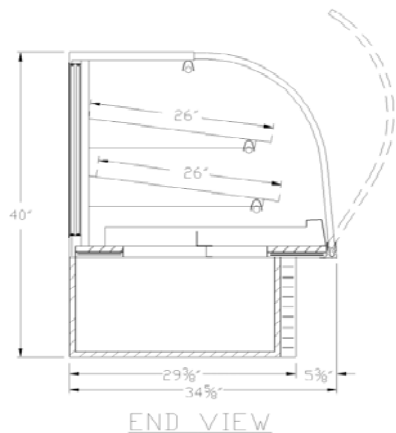
sales@spartanshowcase.com
Phone: 800.325.0775
Fax: 573.265.5124



93000 Series

Mini Tilt-Out Curved Front

Non-Refrigerated Display Cases



Model No.	Dimensions L X W X H	Rows of Shelves	Est. Crated Weight	Pan Capacity	Options / Accessories to Customize the Case
93040-36	36" x 34 3/4" x 40"	2	350 lbs.	9 Half 9"x26"	1. "ETL" Sanitation Listed (Conforms to NSF STD-2) 2. Powder Coat Finishes Available for Frame, Hardware, Lights, & Shelves 3. Standard Exterior Finish 4. Transparent Mirror Doors 5. Vented Doors 6. Glass Doors 7. Removable Shelf Lights with T-8 Safety Coated Bulbs 8. Casters or Legs (Adds 7 1/2" to Total Height) 9. LED Lights
93048-36	36" x 34 3/4" x 48"	3	370 lbs.	12 Half 9"x26"	

Specifications Subject to Change Without Notice



SPARTAN SHOWCASE IS A
DIVISION OF PROCK OPERATIONS™

sales@spartanshowcase.com
Phone: 800.325.0775
Fax: 573.265.5124

