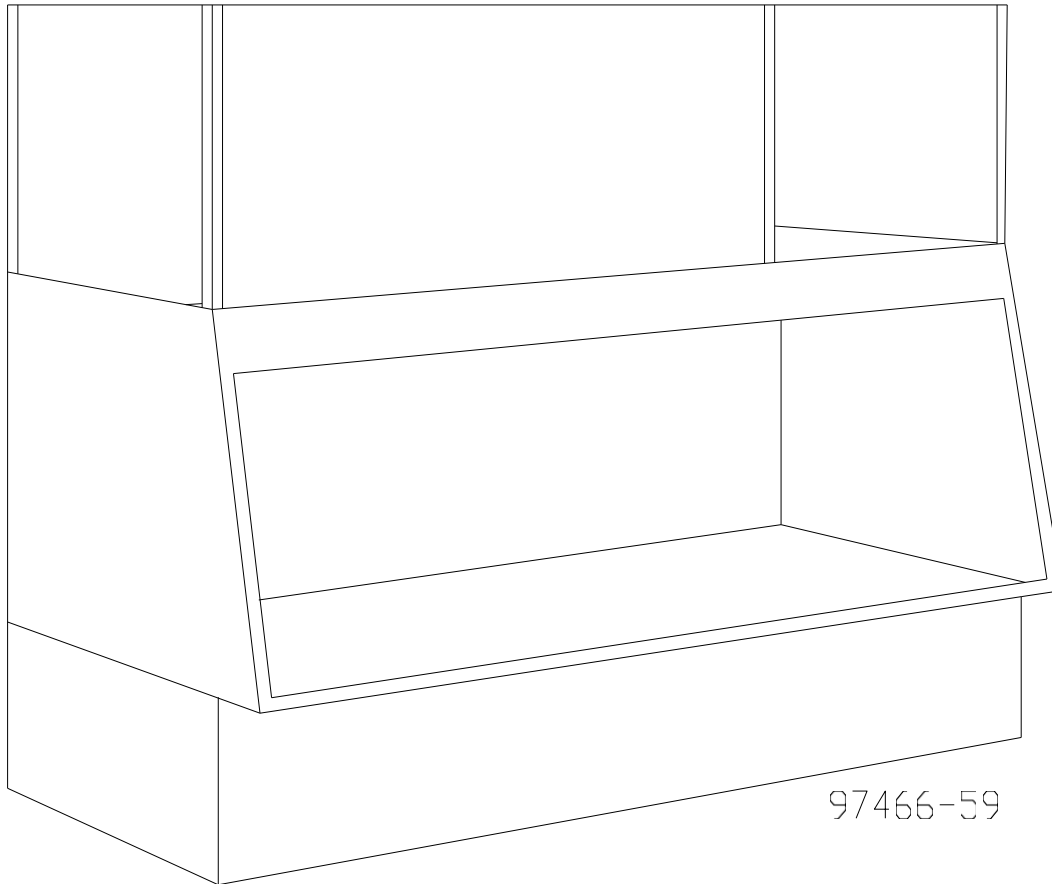


# 97000 Series Cake Decorating Booth



## Features & Finishes:

- Working Height 36"
- White HPL Front, Sides, Working Surface and Drawers
- White Interior
- Black HPL Base
- Two Drawers
- One Adjustable Wood Shelf
- Removable, Locking Plexiglas Display Front
- Clear Acrylic Breathe Guard
- Lighted Display Area
- 12" Cord, Plug and Switch
- U.L. #65 Wired Cabinet Listed

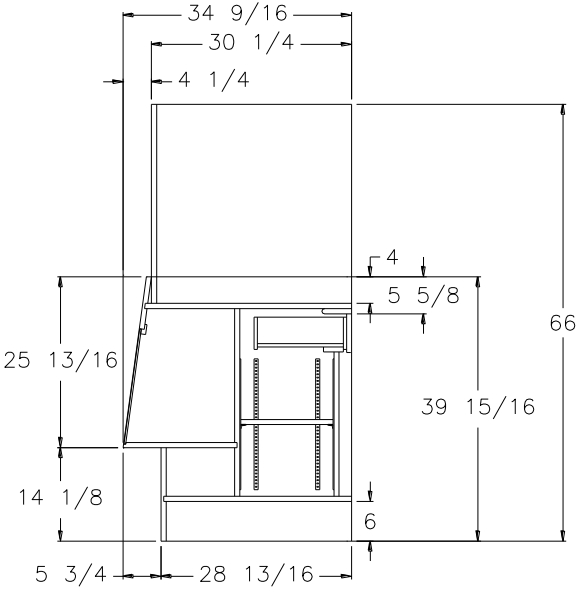


SPARTAN SHOWCASE IS A  
DIVISION OF PROCK OPERATIONS™

[sales@spartanshowcase.com](mailto:sales@spartanshowcase.com)  
Phone: 800.325.0775  
Fax: 573.265.5124



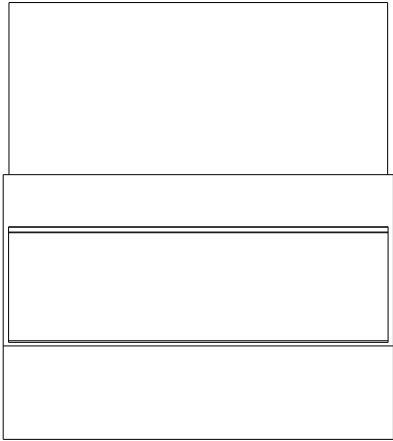
# 97000 Series Cake Decorating Booth



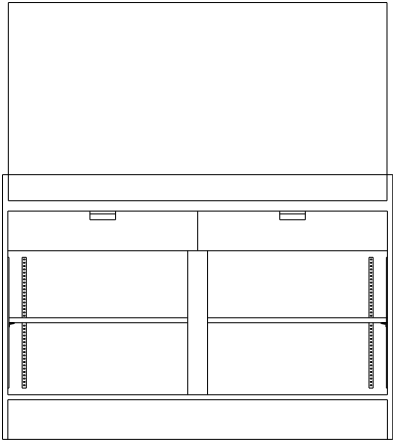
SECTION VIEW



TOP VIEW



FRONT VIEW



REAR VIEW

Model No.	Dimensions L X W X H	Rows of Shelves	Est. Crated Weight	Options / Accessories to Customize Case
97466-59	59" X 34 5/8" X 66"	1	590 lbs.	1. Standard HPL Finish Cover Front and Ends 2. Powder Coat Finishes Available for Frame, Hardware & Lights
97466-72	72" X 34 5/8" X 66"	1	675 lbs.	
<i>(Matches the 40" &amp; 48" Height of the Adjoining cases)</i>				

Specifications Subject to Change Without Notice

SPARTAN SHOWCASE IS A  
DIVISION OF PROCK OPERATIONS™

sales@spartanshowcase.com  
Phone: 800.325.0775  
Fax: 573.265.5124

