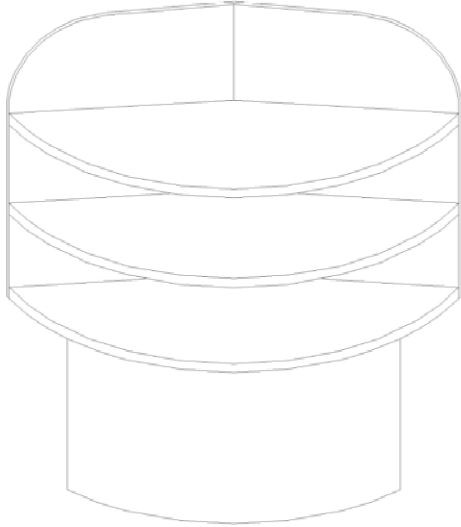
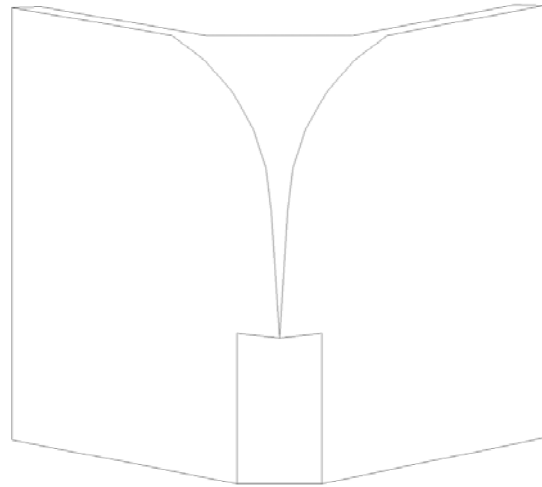


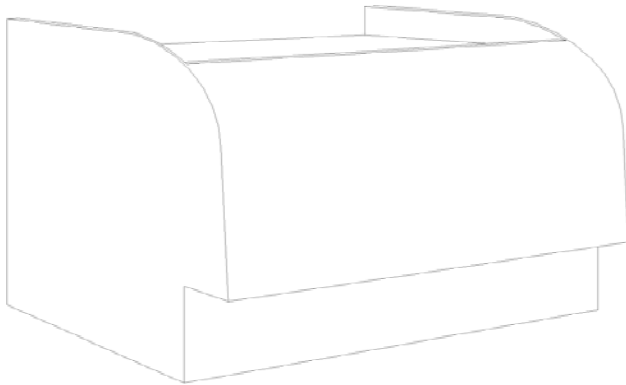
93000 Series Corner Fillers and Counters



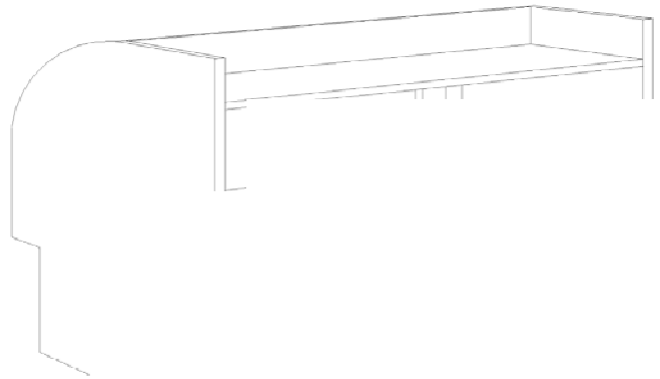
93140 Outside



93240 Inside



93340-59 Front View



93340-59 Back View

Model No.	Dimensions L X W X H	Est. Crated Weight	Standard Features & Finishes
93140	34 3/4" X 34 3/4" X 40"	245 lbs.	1. Standard HPL Exterior Finish 2. White HPL Interior Finish
93148	34 3/4" X 34 3/4" X 48"	245 lbs.	
93240	34 3/4" X 34 3/4" X 40"	245 lbs.	
93248	34 3/4" X 34 3/4" X 48"	245 lbs.	
93340-59	59" X 34 3/4" X 40"	500 lbs.	
93348-59	59" X 34 3/4" X 48"	500 lbs.	

Models 93140, 93240, and 93340-59 Matches Profile of 40" Height Adjoining Cases
 Models 93148, 93248, and 93348-59 Matches Profile of 48" Height Adjoining Cases
 Specifications Subject to change without

SPARTAN SHOWCASE IS A
DIVISION OF PROCK OPERATIONS™

sales@spartanshowcase.com
 Phone: 800.325.0775
 Fax: 573.265.5124

