

# F-Series "Plus" High Security Showcase (To Deter "Smash and Grab")



## Standard Specifications

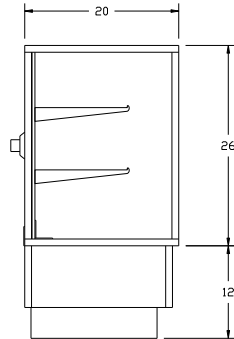
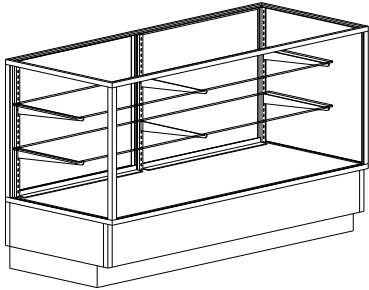
- Tempered Aluminum Extrusion Frame and Trim (Silver Satin Finish)
- Lexan Polycarbonate Top, Front and Ends, to deter smash and grab
- Framed, Lexan Polycarbonate Panel, Sliding Rear Doors (non removable)
- Durable Tempered Glass Top Overlay to prevent scratching
- Steel Reinforced Bottom Door Track
- Adjustable Split Glass Shelves, (1-8" & 1-10") F1600HS, (1-10") F2600HS
- Heavy Duty Aluminum Corner Base Protectors
- Laminated Interior Deck and Base w/4" Black Kick base
- Kenstan Heavy Duty (KIC40) Interchangeable Core Door Lock (s)\*

SPARTAN SHOWCASE IS A  
DIVISION OF PROCK OPERATIONS™

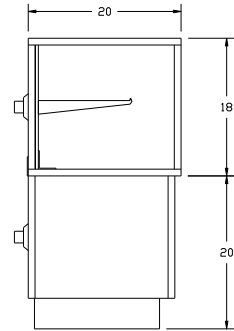
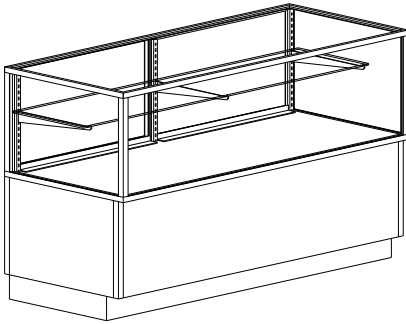
[sales@spartanshowcase.com](mailto:sales@spartanshowcase.com)  
Phone: 800.325.0775  
Fax: 573.265.5124



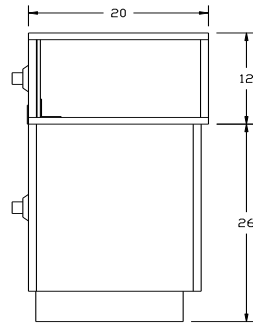
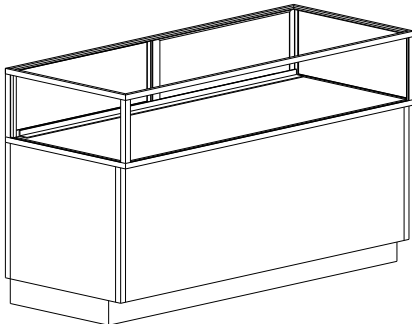
# F-Series "Plus" High Security Showcase (To Deter "Smash and Grab")



Model No.	Dimension L x D x H
F1606HS	70" x 20" x 38"
F1605HS	60" x 20" x 38"
F1604HS	48" x 20" x 38"



Model No.	Dimension L x D x H
F2606HS	70" x 20" x 38"
F2605HS	60" x 20" x 38"
F2604HS	48" x 20" x 38"



Model No.	Dimension L x D x H
F4606HS	70" x 20" x 38"
F4605HS	60" x 20" x 38"
F4604HS	48" x 20" x 38"

Spartan Showcase's F-Series "Plus" High Security are designed to deter **Smash and Grab**. Spartan Showcase makes no claim that these showcase can be used, or substituted, for a Safe or any other Burglary Proof Product.

\*Note: Kenstan KIC40 Door Locks are Factory Installed with Core, and includes One Key. Optional Keyway Controls are Available.

SPARTAN SHOWCASE IS A  
DIVISION OF PROCK OPERATIONS™

sales@spartanshowcase.com  
Phone: 800.325.0775  
Fax: 573.265.5124

### Options/Accessories:

- UL Listed Light and Lamp
- UL Listed 12" Cord and Plug
- Formica or Wilsonart® Laminate Finish Base
- Stainless Steel Interior Deck
- Powdercoat Frame & Trim Finish

