

Classic Series (HPL Finish W/O Base Protectors)



Standard Specifications:

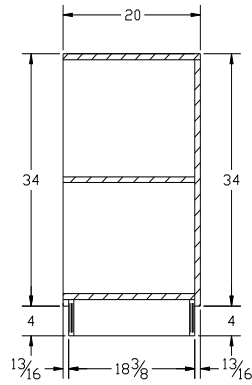
- HPL Counter Top Wilsonart® (White Leather)
- Laminated Interior and Exterior Finish Base Panels (Standard TFM White or Black)
- 4" Black Kick
- Open Rear Storage with 3/4" Adjustable Wood Shelf

SPARTAN SHOWCASE IS A
DIVISION OF PROCK OPERATIONS™

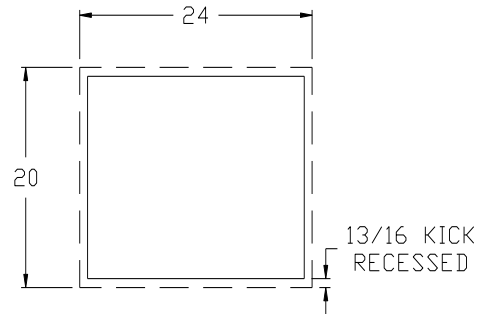
sales@spartanshowcase.com
Phone: 800.325.0775
Fax: 573.265.5124



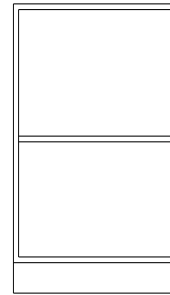
Classic Series (HPL Finish W/O Base Protectors)



SIDE ELEVATION



FRONT ELEVATION



REAR ELEVATION

Model No.	Dimension L X D X H	Options/Accessories
CFCS-24 CRCS-24*	24" x 20" x 38" 24" x 20" x 38" *CRCS not shown	(Flat Top) (4" Recessed Cash) 1. Storage Door w/Lock (TFM) 2. Extra Shelf 3. Drawer w/o Lock (TFM) *Standard HPL Exterior Finish with Self Edge Corners

SPARTAN SHOWCASE IS A
DIVISION OF PROCK OPERATIONS™

sales@spartanshowcase.com
Phone: 800.325.0775
Fax: 573.265.5124

