

# Pocket Displayer



## Standard Specifications

- Wood Construction using concealed Assembly Fasteners for a Smooth Finish
- Interior and Exterior Finished (TFM)

SPARTAN SHOWCASE IS A  
DIVISION OF PROCK OPERATIONS™

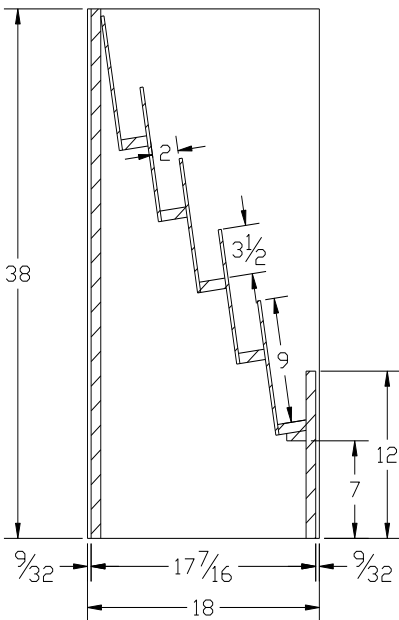
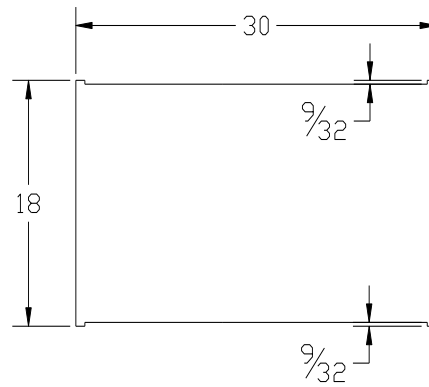
[sales@spartanshowcase.com](mailto:sales@spartanshowcase.com)

Phone: 800.325.0775

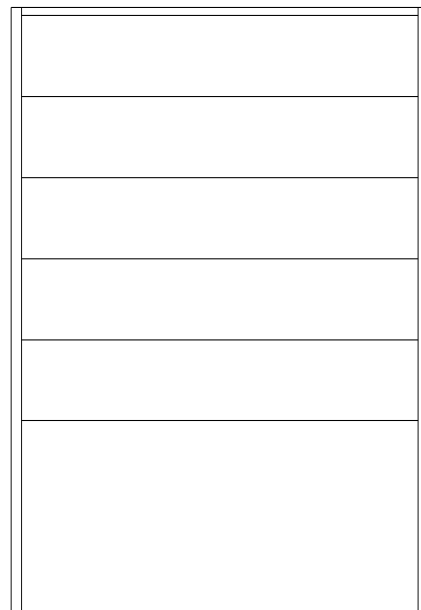
Fax: 573.265.5124



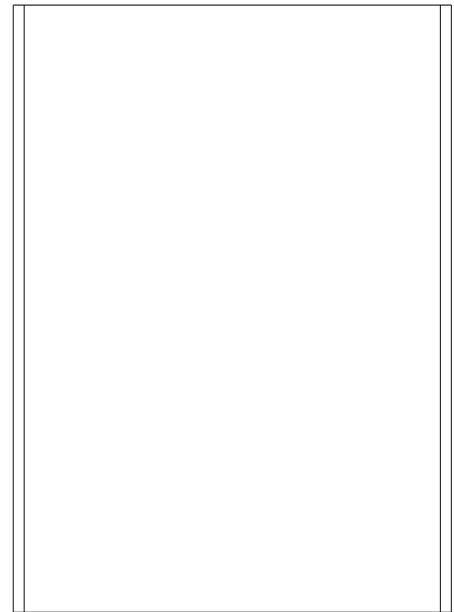
# Pocket Displayer



**Side Elevation**



**Front Elevation**



**Back Elevation**

Model No.	Dimension L X D X H
EP30	30" x 18" x 38"

SPARTAN SHOWCASE IS A  
DIVISION OF PROCK OPERATIONS™

sales@spartanshowcase.com

Phone: 800.325.0775

Fax: 573.265.5124

