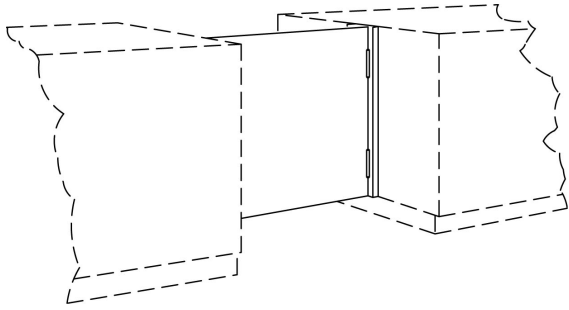
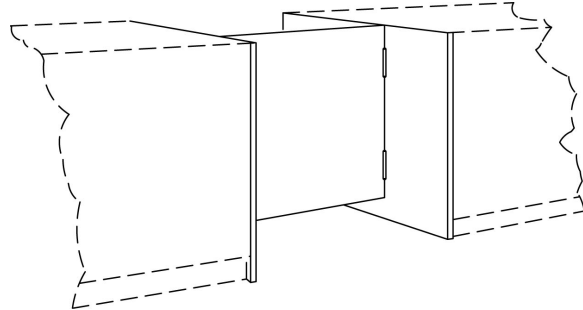


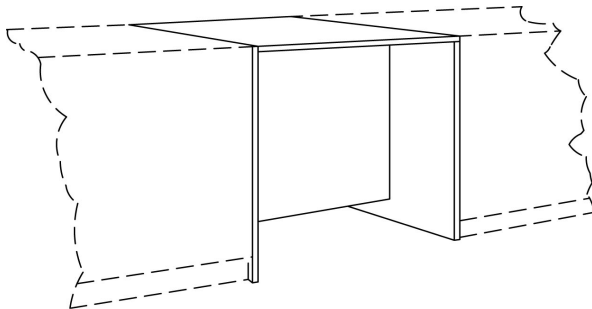
Gates



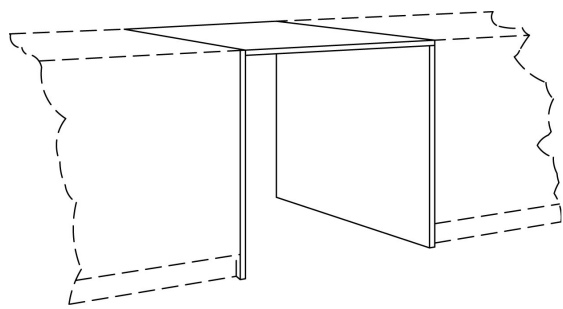
GA100



GB101



GC102



GD103

Standard Specifications

- Fit 24" Wide Opening
- Laminated Finish (TFM)
- Double Acting Hinges

Model No.	Gate Descriptions	Dimension L X H
GA100	GA100 Double Acting With Style	24" x 38"
GB101	GB101 D/A Swing With Panel Ends	24" x 38"
GC102	GC102 Lift/Swing D/A With Panel Ends	24" x 38"
GD103	GD103 Lift Gate W/Panel Ends	24" x 38"

Options/Accessories

1. Standard Finish HPL
2. Secret Gate Latch

SPARTAN SHOWCASE IS A
DIVISION OF PROCK OPERATIONS™

sales@spartanshowcase.com

Phone: 800.325.0775

Fax: 573.265.5124

