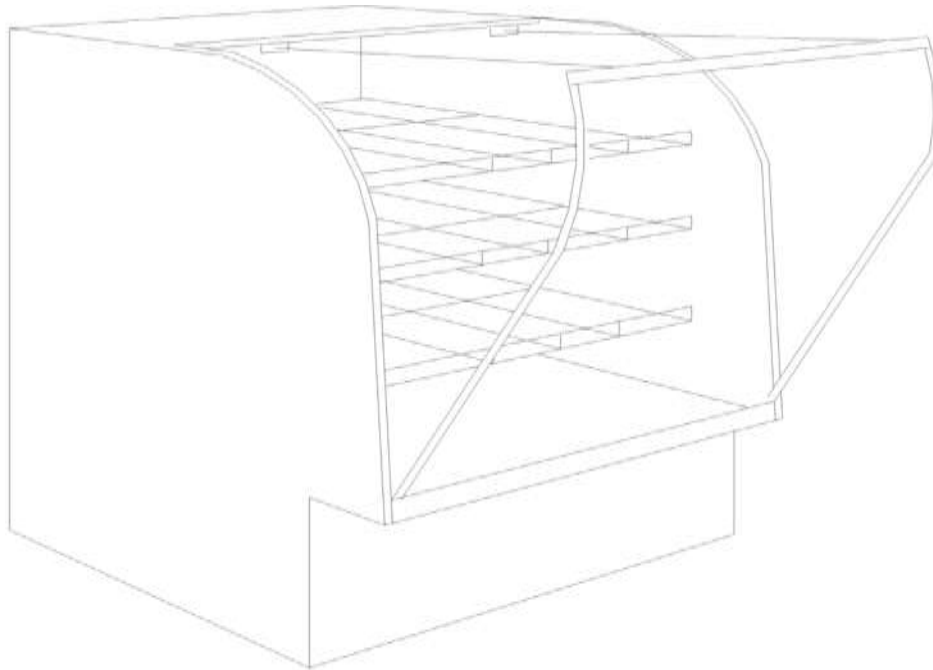


# 93000 Series

## Mini Tilt-Out Curved Front Non-Refrigerated Display Cases



### Features & Finishes:

- Tilt-Out Curved Front Glass for Ease in Cleaning Glass
- White HPL Solid Top Work Surface
- Aluminum Framed, Manual Sliding Mirror Doors
- Top Light with T-8 Safety Coated Bulbs
- White HPL Exterior Finish
- White HPL Deck
- Mirror Ends
- Metal Shelf Pan Supports on Standards w/ Adj. (Level to Slant Brackets (40" Ht. – 2 Tiers) (48" Ht. – 3 Tiers)
- 12" Cord, Plug and Switch
- U.L #65 Wire Cabinet Listed



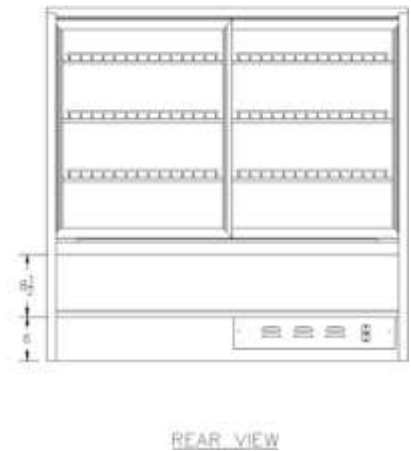
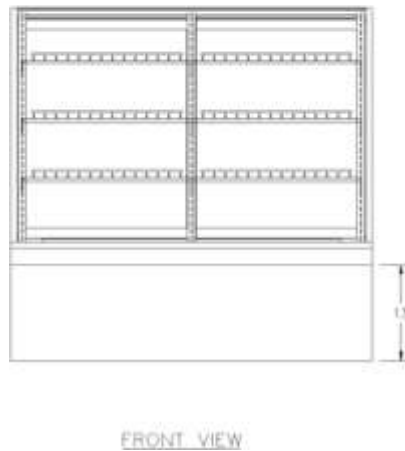
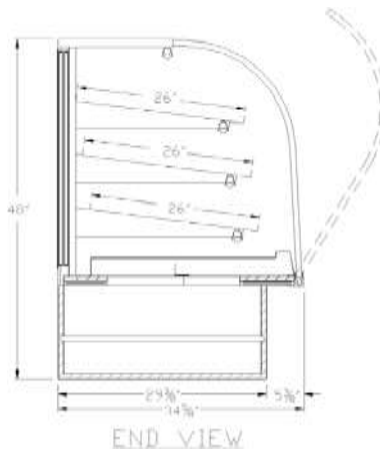
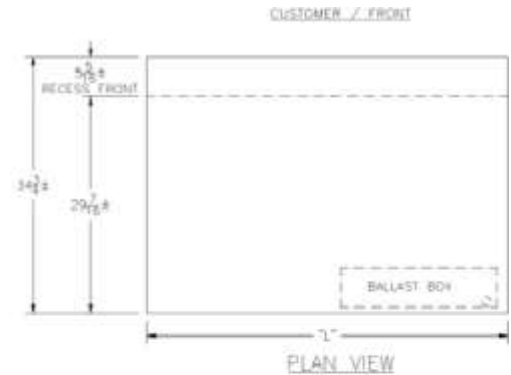
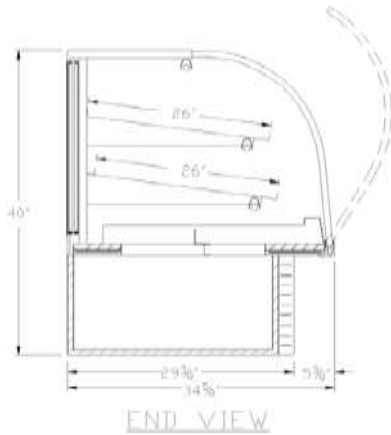
SPARTAN SHOWCASE IS A  
DIVISION OF PROCK OPERATIONS™

[sales@spartanshowcase.com](mailto:sales@spartanshowcase.com)  
Phone: 800.325.0775  
Fax: 573.265.5124



# 93000 Series

## Mini Tilt-Out Curved Front Non-Refrigerated Display Cases



Model No.	Dimensions L X W X H	Rows of Shelves	Est. Crated Weight	Pan Capacity	Options / Accessories to Customize the Case
93040-36	36" x 34 3/4" x 40"	2	350 lbs.	9 Half 9"x26"	<ol style="list-style-type: none"> <li>1. "ETL" Sanitation Listed (Conforms to NSF STD-2)</li> <li>2. Powder Coat Finishes Available for Frame, Hardware, Lights, &amp; Shelves</li> <li>3. Standard Exterior Finish</li> <li>4. Transparent Mirror Doors</li> <li>5. Vented Doors</li> <li>6. Glass Doors</li> <li>7. Removable Shelf Lights with T-8 Safety Coated Bulbs</li> <li>8. Casters or Legs (Adds 7 1/2" to Total Height)</li> <li>9. LED Lights</li> </ol>
93048-36	36" x 34 3/4" x 48"	3	370 lbs.	12 Half 9"x26"	

Specifications Subject to Change Without Notice



SPARTAN SHOWCASE IS A  
DIVISION OF PROCK OPERATIONS™

sales@spartanshowcase.com  
Phone: 800.325.0775  
Fax: 573.265.5124

