

CPN - Series Prism Candy Cases Non-Climate Controlled



Features & Finishes

- Anodized Aluminum Frame
- Tempered Glass Front, Ends & Top
- Aluminum Framed, Sliding Mirror Doors
- Tempered Glass Shelves (1-8" & 1-10")
- 6" Black Kick Base
- White HPL Exterior Finish
- White HPL Deck
- Top Light with Lamp and Shield
- Cord & Plug
- U.L. Listed

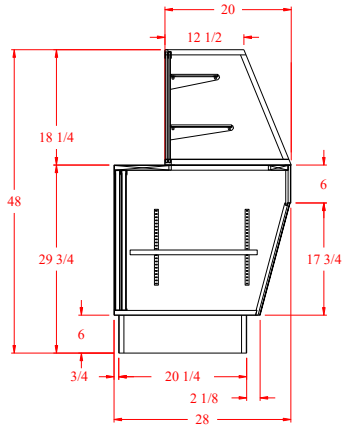


SPARTAN SHOWCASE IS A
DIVISION OF PROCK OPERATIONS™

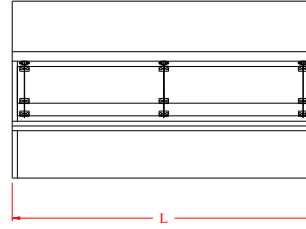
sales@spartanshowcase.com
Phone: 800.325.0775
Fax: 573.265.5124



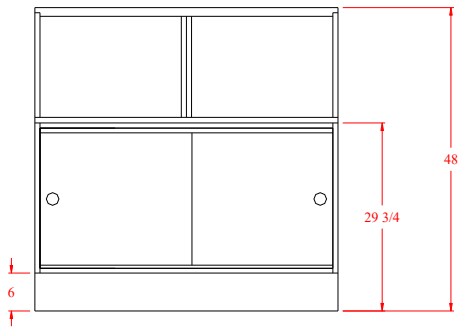
CPN - Series Prism Candy Cases Non-Climate Controlled



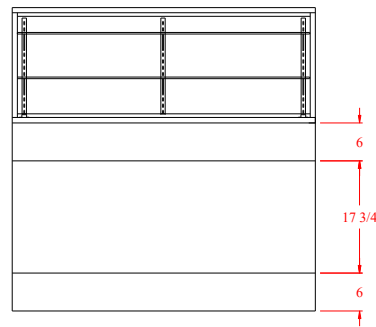
End View



Top View



Rear View



Front View

Model No.	Dimensions: L X W X H	Rows of Shelves	Est. Crated Weight	Case Options:
CPR-4	48" x 28" x 48"	2	480 lbs.	1. Brasstone or Black Finish 2. Vented Doors 3. Std. HPL Finish Base 4. Mirror Ends
CPR-5	60" x 28" x 48"	2	550 lbs.	
CPR-6	70" x 28" x 48"	2	620 lbs.	



SPARTAN SHOWCASE IS A
DIVISION OF PROCK OPERATIONS™

sales@spartanshowcase.com
Phone: 800.325.0775
Fax: 573.265.5124

