

W4800 Series (L - Shaped)



Standard Specifications:

- HPL Counter Top Wilsonart® (White Leather)
- Laminated Interior and Exterior Finish Base Panels (TFM)
- Heavy Duty Corner Base Protectors
- 4" Black Kick
- Open Rear Storage with 3/4" Adjustable Wood Shelf

SPARTAN SHOWCASE IS A
DIVISION OF PROCK OPERATIONS™

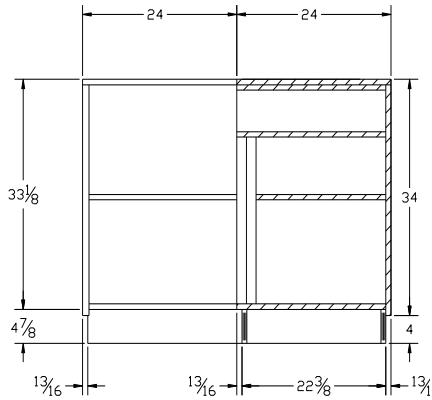
sales@spartanshowcase.com

Phone: 800.325.0775

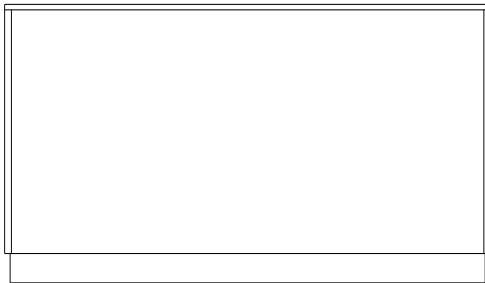
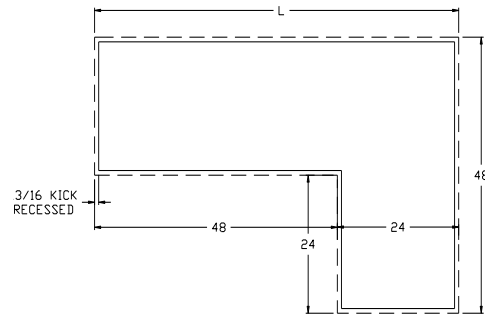
Fax: 573.265.5124



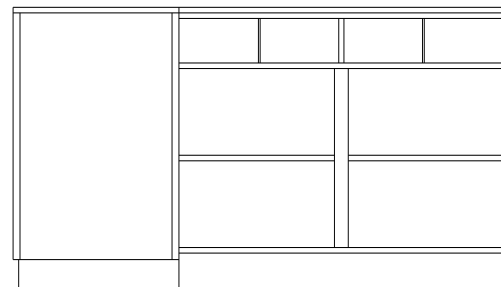
W4800 Series (L - Shaped)



SIDE ELEVATION



FRONT ELEVATION



REAR ELEVATION

Model No.	Dimension L X D X H
W4896R	48" x 96" x 38"
W4896L	48" x 96" x 38"
W4884R	48" x 84" x 38"
W4884L	48" x 84" x 38"
W4872R	48" x 72" x 38"
W4872L	48" x 72" x 38"
W4860R	48" x 60" x 38"
W4860L	48" x 60" x 38"

Note: R - Right Hand L - Left Hand

Options/Accessories

1. Standard Finish HPL Base
2. Without Corner Base Protectors
3. Extra Shelf
4. 1 - Tier of Drawers (TFM)
5. 1 - Drawer in Bag Bin Area (TFM) (Specify Location)
6. 1 - Drawer in Bag Bin Area (HPL) (Specify Location)

SPARTAN SHOWCASE IS A
DIVISION OF PROCK OPERATIONS™

sales@spartanshowcase.com

Phone: 800.325.0775

Fax: 573.265.5124

