

F-Series Square Pedestal Showcases Sliding Glass Doors-2 Sides (w/o Locks)



* Shown W/O Aluminum Corner Base Protector

Standard Specification

- Anodized Silver Satin Finish Aluminum Frame & Trim
- 1/4" Tempered Glass Top, Front, and Ends
- Laminated Interior Decks: (TFM) White, Black,
- Laminated Base with Heavy Duty Corner Protectors: (TFM) White, Black, Cherry (High Pressure Laminate (HPL) Formica® or Wilsonart® Standard Offerings Optional)
- Black Kick

SPARTAN SHOWCASE IS A
DIVISION OF PROCK OPERATIONS™

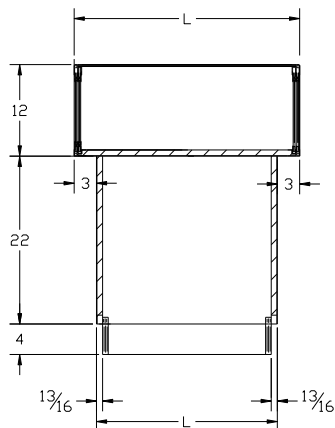
sales@spartanshowcase.com

Phone: 800.325.0775

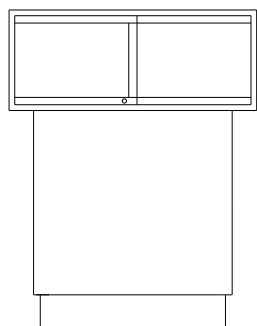
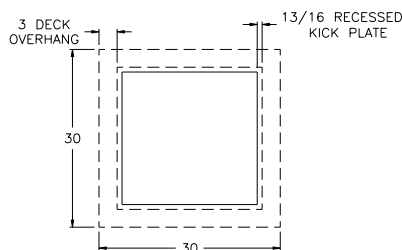
Fax: 573.265.5124



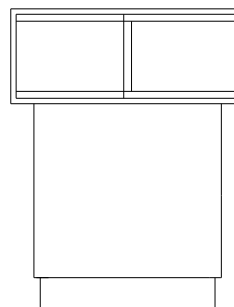
F-Series Square Pedestal Showcases Sliding Glass Doors-2 Sides (w/o Locks)



SIDE ELEVATION



FRONT ELEVATION



BACK ELEVATION

Model No.	Dimensions: L X D X H	Doors
SQP24	24" x 24" x 38"	Sliding Glass - 2 Sides, w/o Locks
SQP30	30" x 30" x 38"	Sliding Glass - 2 Sides, w/o Locks
SQP36	36" x 36" x 38"	Sliding Glass - 2 Sides, w/o Locks

Options/Accessories:
<ol style="list-style-type: none"> 1. Door Locks 2. Without Aluminum Corner Base Protectors 3. Powdercoat Finish Frame 4. HPL Base

SPARTAN SHOWCASE IS A
DIVISION OF PROCK OPERATIONS™

sales@spartanshowcase.com

Phone: 800.325.0775

Fax: 573.265.5124

