

PNW Series Counters (One Adjustable Storage Shelf) (White HPL Top)



PNW Backview

Standard Specifications

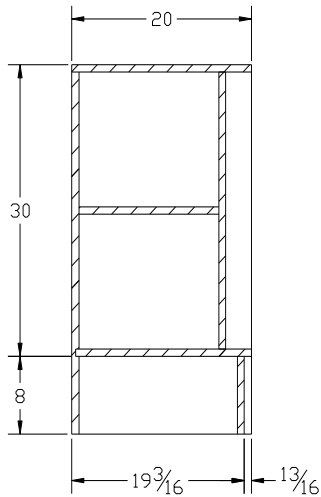
- Slab End Construction
- Laminated (TFM) End Panels & Deck
- White Interior Deck (TFM)
- Adjustable Wood Shelves
- White HPL Top

SPARTAN SHOWCASE IS A
DIVISION OF PROCK OPERATIONS™

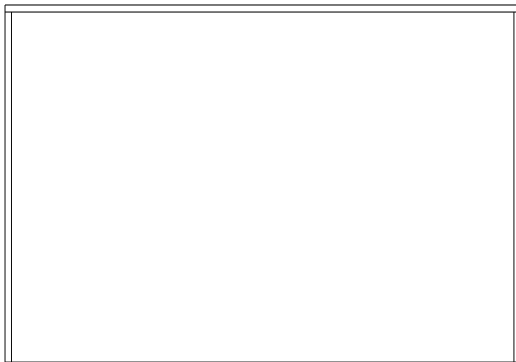
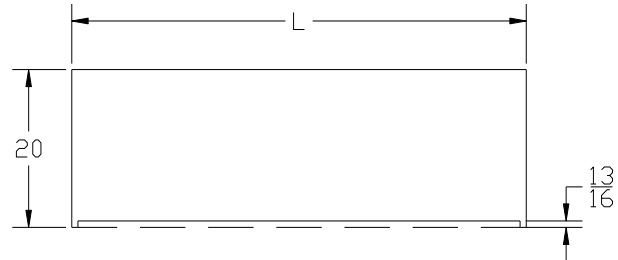
sales@spartanshowcase.com
Phone: 800.325.0775
Fax: 573.265.5124



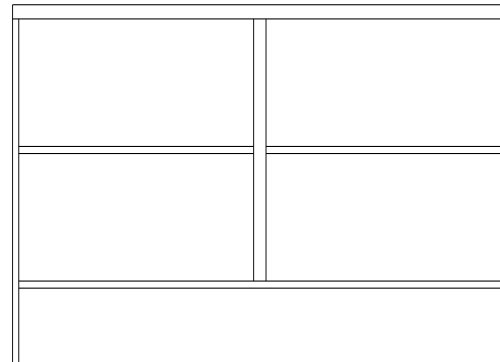
PNW Series Counters (One Adjustable Storage Shelf) (White HPL Top)



Side Elevation



Front Elevation



Back Elevation

Model No.	Dimension L X D X H
PNW72	70" x 20" x 38"
PNW60	60" x 20" x 38"
PNW48	48" x 20" x 38"

Options/Accessories
1. Standard Finish HPL Ext (Includes Interior/Exterior End Panels & Exterior Front Panel)

SPARTAN SHOWCASE IS A
DIVISION OF PROCK OPERATIONS™

sales@spartanshowcase.com
Phone: 800.325.0775
Fax: 573.265.5124

