

Gift Islands



Features & Finishes

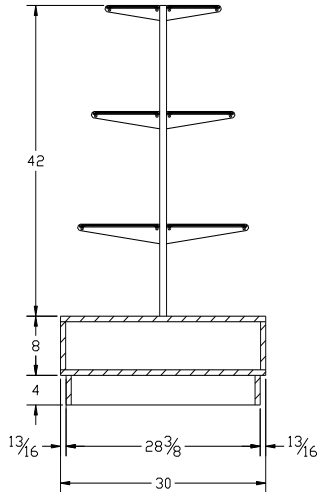
- Laminated Base (TFM)
- Six Glass Shelves (2-8" - 2-10" - 2-12")
- Laminated Top (HPL)
- Aluminum Corner Base Protector
- 8"H Base
- 4"H Kick

SPARTAN SHOWCASE IS A
DIVISION OF PROCK OPERATIONS™

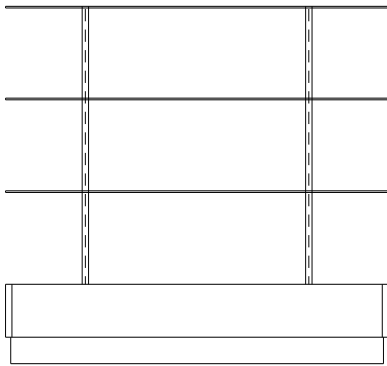
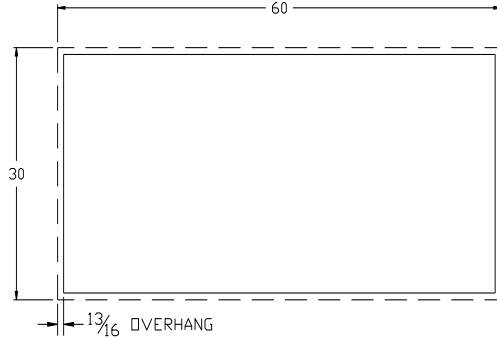
sales@spartanshowcase.com
Phone: 800.325.0775
Fax: 573.265.5124



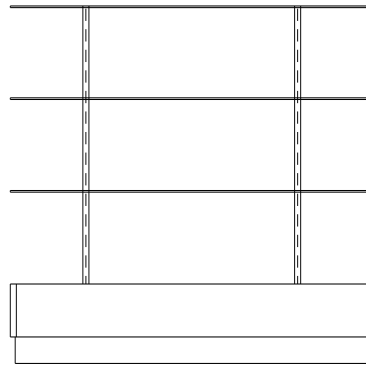
Gift Islands



Side Elevation



Front Elevation



Back Elevation

Model No.	Dimension L X D X H
SGI60 DGI60	60" x 30" x 54" 60" x 30" x 54" (Lighted Base)

Options/Accessories
<ol style="list-style-type: none"> 1. Standard Finish HPL Base 2. Without Corner Base Protectors 3. 1/4" 1 Side of Doors 4. 1 Tier of Drawers 1/2" Depth

SPARTAN SHOWCASE IS A
DIVISION OF PROCK OPERATIONS™

sales@spartanshowcase.com
Phone: 800.325.0775
Fax: 573.265.5124

