

# 3 - Tier Merchandising Table



## Standard Specifications:

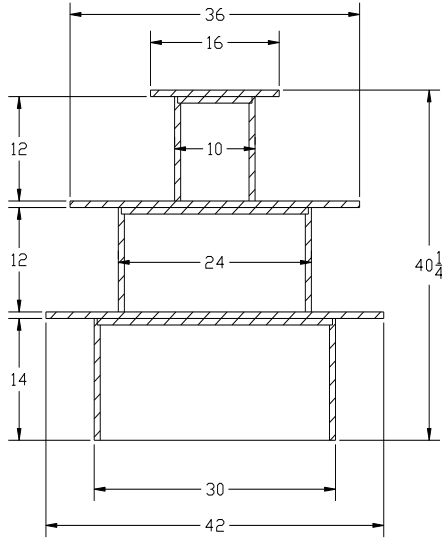
- TFM Finish (White, Black or Cherry Woodgrain)
- Edge Banding
- 3 Tier Shelves
  - Top Shelf - 48" L x 36" D
  - Middle Shelf - 60" L x 36" D
  - Bottom Shelf - 60" L x 42" D
- 3 Risers
  - Top - 24" L x 10" D x 12" H
  - Middle - 36" L x 24" D x 12" H
  - Bottom - 52" L x 30" D x 14" H

SPARTAN SHOWCASE IS A  
DIVISION OF PROCK OPERATIONS™

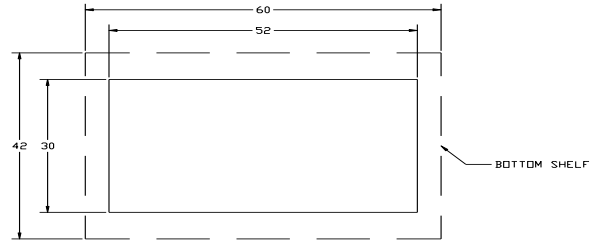
[sales@spartanshowcase.com](mailto:sales@spartanshowcase.com)  
Phone: 800.325.0775  
Fax: 573.265.5124



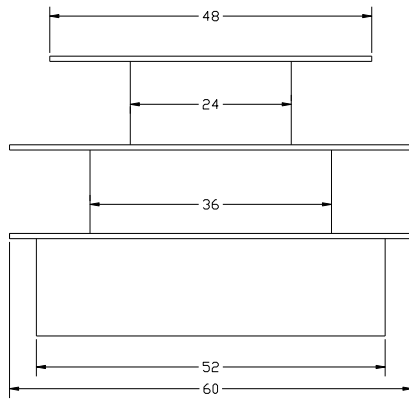
# 3 - Tier Merchandising Table



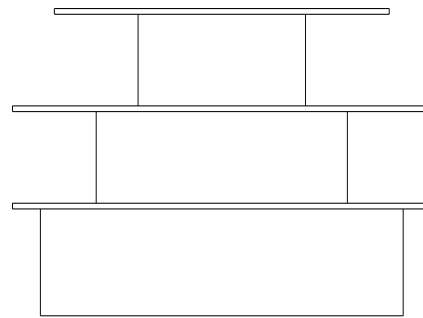
**Side Elevation**



**Foot Print**



**Front Elevation**



**Back Elevation**

Model No.	Dimension L X D X H	Options/Accessories
M3T	60" x 42" x 40 1/4"	1. Standard Finish HPL

SPARTAN SHOWCASE IS A  
DIVISION OF PROCK OPERATIONS™

sales@spartanshowcase.com  
Phone: 800.325.0775  
Fax: 573.265.5124

