

# W4800 Series (L - Shaped)



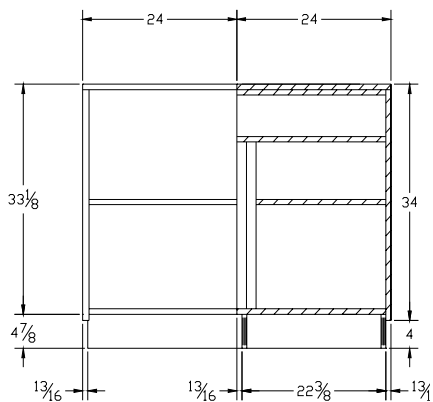
## Standard Specifications:

- HPL Counter Top Wilsonart® (White Leather)
- Laminated Interior and Exterior Finish Base Panels (Standard LPL)
- Heavy Duty Corner Base Protectors
- 4" Black Kick
- Open Rear Storage with 3/4" Adjustable Wood Shelf

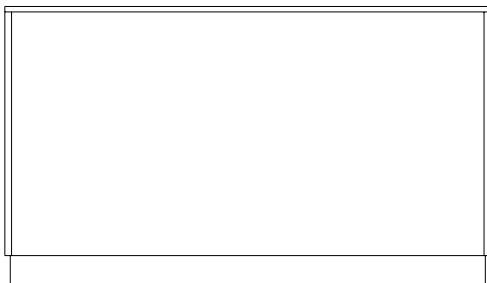
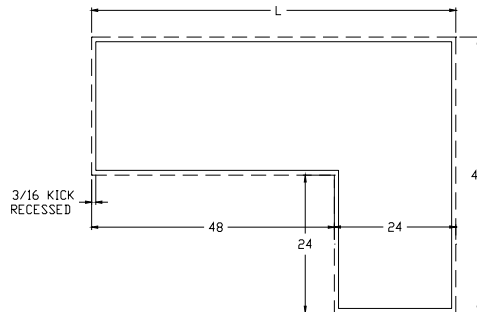
P. O. BOX 470  
Union, MO 63084

Phone: 1.800.325.0775  
Fax: 1.636.583.4067

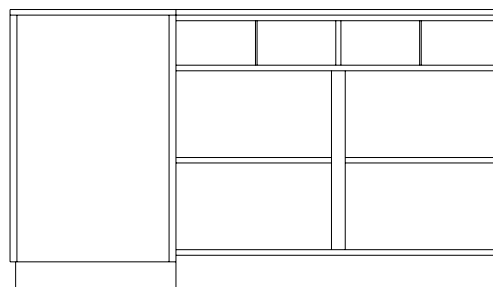
# W4800 Series (L - Shaped)



SIDE ELEVATION



FRONT ELEVATION



REAR ELEVATION

Model No.	Dimension L X D X H
W4896R	48" x 96" x 38"
W4896L	48" x 96" x 38"
W4884R	48" x 84" x 38"
W4884L	48" x 84" x 38"
W4872R	48" x 72" x 38"
W4872L	48" x 72" x 38"
W4860R	48" x 60" x 38"
W4860L	48" x 60" x 38"
Note: R - Right Hand    L - Left Hand	

Options/Accessories
<ol style="list-style-type: none"> <li>1. Standard Finish HPL Base</li> <li>2. Without Corner Base Protectors</li> <li>3. Extra Shelf</li> <li>4. 1 - Tier of Drawers (LPL)</li> <li>5. 1 - Drawer in Bag Bin Area (LPL) (Specify Location)</li> <li>6. 1 - Drawer in Bag Bin Area (HPL) (Specify Location)</li> <li>7. 1 - Tier of Drawers (HPL)</li> </ol>

P. O. BOX 470  
Union, MO 63084

Phone: 1.800.325.0775  
Fax: 1.636.583.4067