

PNW Series Counters (One Adjustable Storage Shelf) (White HPL Top)



PNW Backview

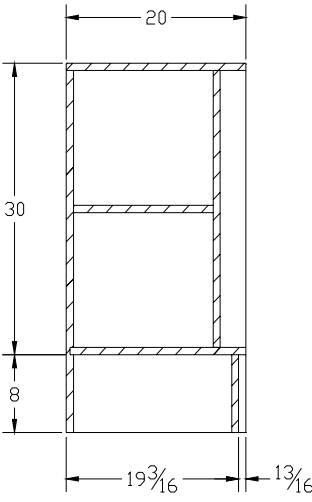


Standard Specifications
<ul style="list-style-type: none">• Slabend Construction• Laminated End Panels & Deck• White Interior Deck (LPL)• Adjustable Wood Shelves• White HPL Top

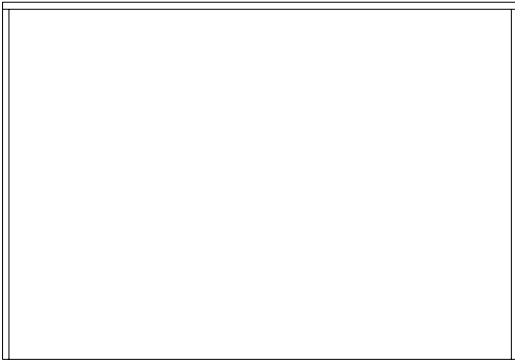
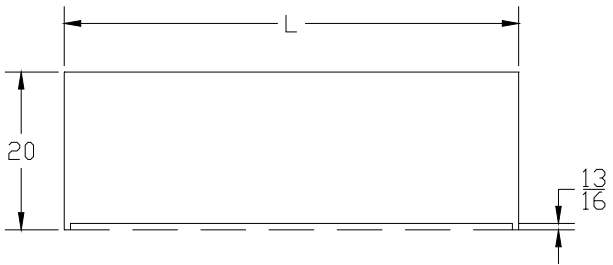
P. O. BOX 470
Union, MO 63084

Phone: 1.800.325.0775
Fax: 1.636.583.4067

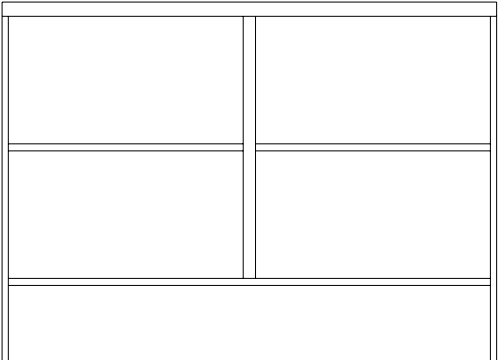
PNW Series Counters (One Adjustable Storage Shelf) (White HPL Top)



Side Elevation



Front Elevation



Back Elevation

Model No.	Dimension L X D X H
PNW72	70" x 20" x 38"
PNW60	60" x 20" x 38"
PNW48	48" x 20" x 38"

Options/Accessories
1. Standard Finish HPL Ext (Includes Interior/Exterior End Panels & Exterior Front Panel)

P. O. BOX 470
Union, MO 63084

Phone: 1.800.325.0775
Fax: 1.636.583.4067