

F-Series "Plus"

High Security Showcase

(To Deter "Smash and Grab")



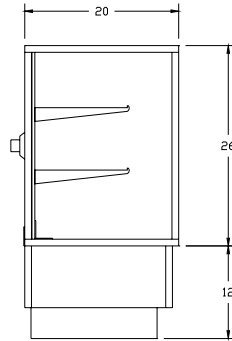
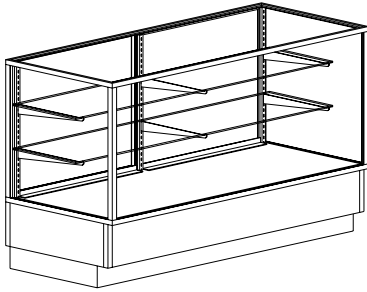
Standard Specifications

- Tempered Aluminum Extrusion Frame and Trim (Silver Satin Finish)
- Lexan Polycarbonate Top, Front and Ends, to deter smash and grab
- Framed, Lexan Polycarbonate Panel, Sliding Rear Doors (non removable)
- Durable Tempered Glass Top Overlay to prevent scratching
- Steel Reinforced Bottom Door Track
- Adjustable Split Glass Shelves, (1-8" & 1-10") F1600HS, (1-10") F2600HS
- Heavy Duty Aluminum Corner Base Protectors
- Laminated Interior Deck and Base w/4" Black Kick base
- Kenstan Heavy Duty (KIC40) Interchangeable Core Door Lock (s)*

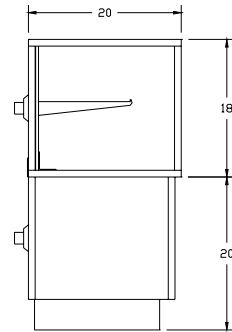
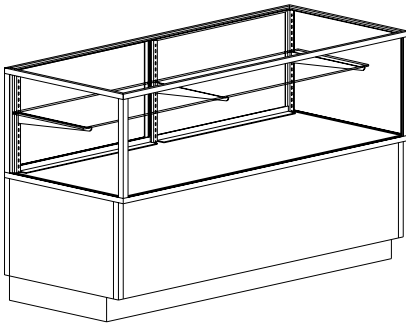
P. O. BOX 470
Union, MO 63084

Phone: 1.800.325.0775
Fax: 1.636.583.4067

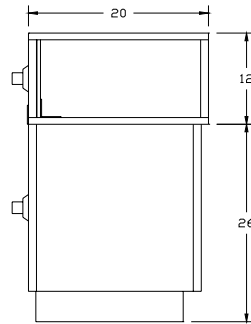
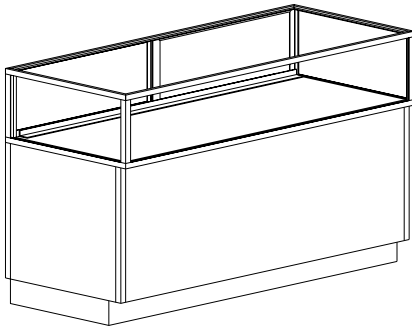
F-Series "Plus" High Security Showcase (To Deter "Smash and Grab")



Model No.	Dimension L x D x H
F1606HS	70" x 20" x 48"
F1605HS	60" x 20" x 48"
F1604HS	48" x 20" x 48"



Model No.	Dimension L x D x H
F2606HS	70" x 20" x 48"
F2605HS	60" x 20" x 48"
F2604HS	48" x 20" x 48"



Model No.	Dimension L x D x H
F4606HS	70" x 20" x 48"
F4605HS	60" x 20" x 48"
F4604HS	48" x 20" x 48"

Spartan Showcase's F-Series "Plus" High Security Showcases are designed to deter smash and Grab.

Spartan Showcase makes no claim that these showcase can be used, or substituted, for a Safe or any other Burglary Proof Product.

*Note: Kenstan KIC40 Door Locks are Factory Installed with Core, and includes One Key. Optional Keyway Controls are Available.

Options/Accessories:

- UL Listed Light and Lamp
- UL Listed 12" Cord and Plug
- Formica or Wilsonart® Laminate Finish Base
- Stainless Steel Interior Deck
- Brasstone Finish Frame & Trim

P. O. BOX 470
Union, MO 63084

Phone: 1.800.325.0775
Fax: 1.636.583.4067