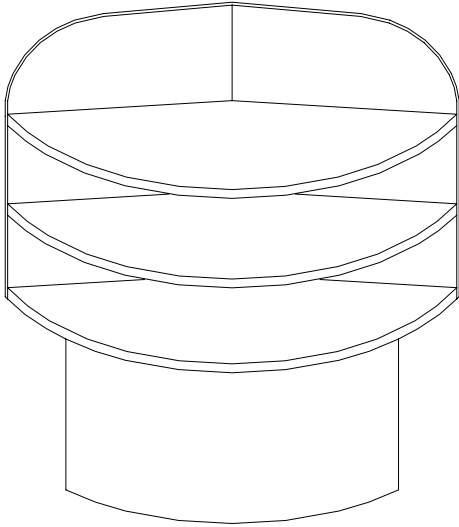
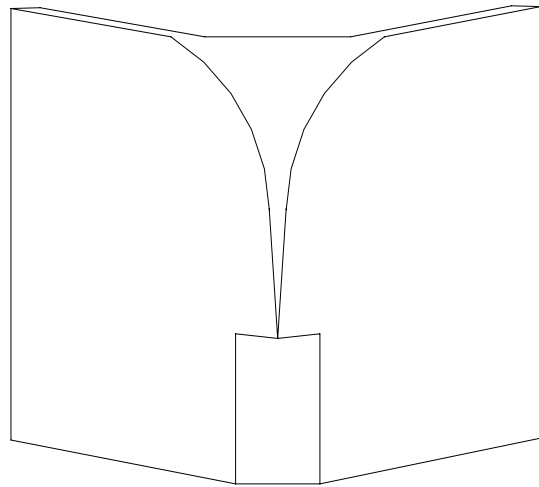


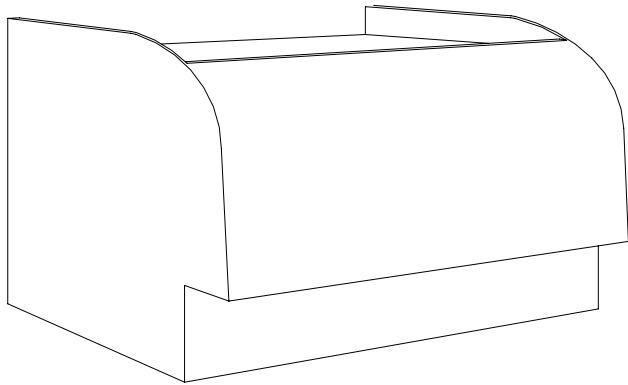
93000 Series Corner Fillers and Counters



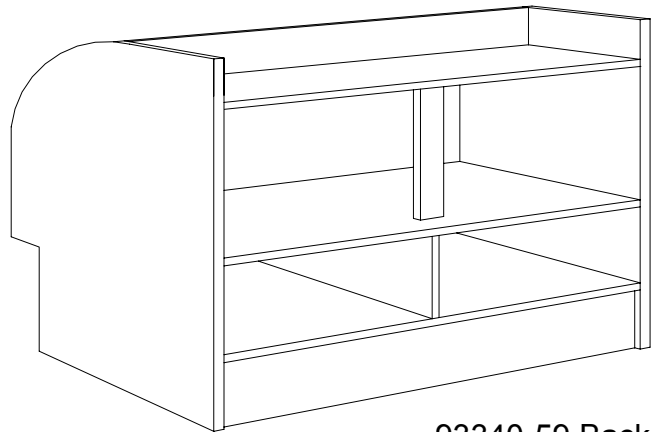
93140 Outside



93240 Inside



93340-59 Front View



93340-59 Back View

Features & Finishes:
<ul style="list-style-type: none">• Std. HPL Exterior Finish (To Match Adjoining Display Cases)• White HPL Interior Finish

P. O. BOX 470
Union, MO 63084

Phone: 1.800.325.0775
Fax: 1.636.583.4067

93000 Series

Corner Fillers and Counters

Model No.	Dimensions: L X W X H	Est. Crated Weight
93140	34 3/4" X 34 3/4" X 40"	245 lbs.
93148	34 3/4" X 34 3/4" X 48"	245 lbs.
93240	34 3/4" X 34 3/4" X 40"	245 lbs.
93248	34 3/4" X 34 3/4" X 48"	245 lbs.
93340-59	59" X 34 3/4" X 40"	500 lbs.
93348-59	59" X 34 3/4" X 48" <i>(To Match 48"H profile of adjoining Case)</i>	500 lbs.

Models 93148, 93248, and 93348-59 Matches Profile of 48" Adjoining

Specifications Subject to change without

P. O. BOX 470
Union, MO 63084

Phone: 1.800.325.0775
Fax: 1.636.583.4067