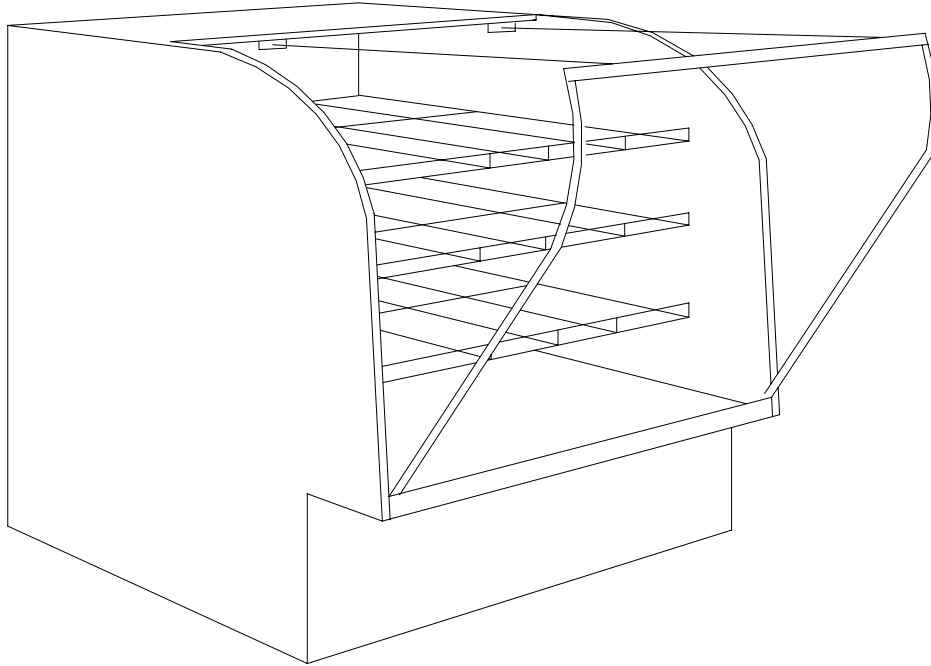


93000 Series

Mini Tilt-Out Curved Front Non-Refrigerated Display Cases



Features & Finishes:

- Tilt-Out Curved Front Glass
- Solid Top Work Surface
- Aluminum Framed, Sliding Mirror Doors
- Top Light with Lamp and Shield
- White HPL Deck
- White HPL Exterior Finish
- White Wire Shelves, 7 1/2° Slanted
- Mirror Ends
- 12" Cord, plug and switch
- U.L. and C.U.L. Listed

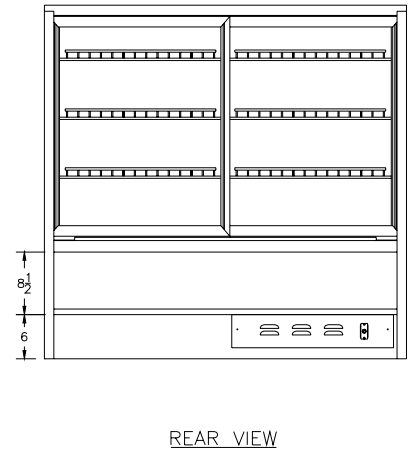
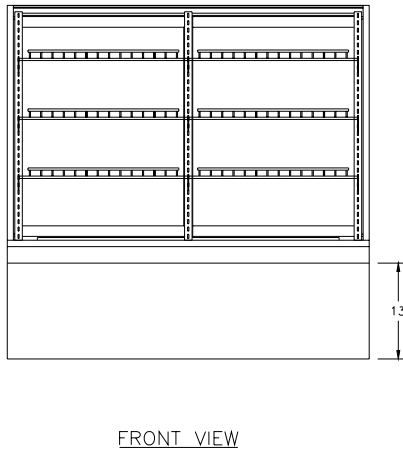
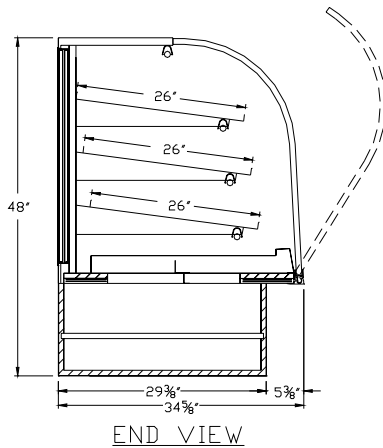
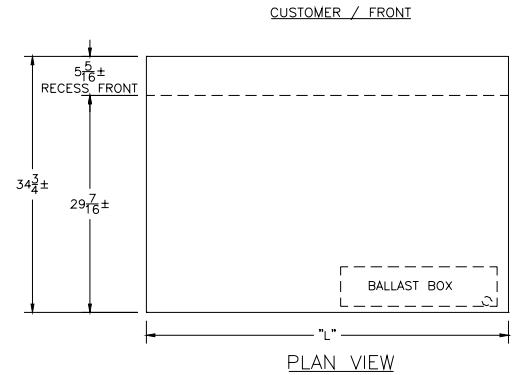
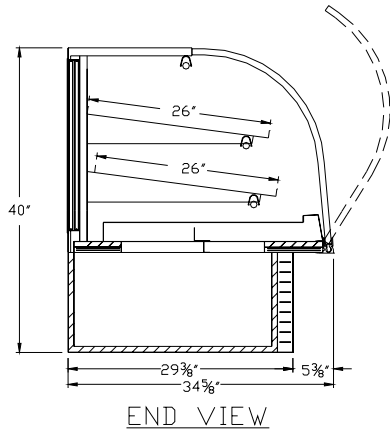


P. O. BOX 470
Union, MO 63084

Phone: 1.800.325.0775
Fax: 1.636.583.4067

93000 Series

Mini Tilt-Out Curved Front Non-Refrigerated Display Cases



Model No.	Dimensions: L X W X H	Rows of Shelves	Est. Crated	Pan Capacity	Case Options:
93040-36	36" x 34 3/4" x 40"	2	350 lbs.	6 Full/3 Half	<ol style="list-style-type: none"> 1. "ETL" Sanitation Listed (Conforms to NSF STD-2) 2. Brasstone or Black Finish (Frame, Hardware, Lights & Shelves) 3. Brasstone or Black Finish (Frame & Lights Only) 4. Transparent Mirror Doors 5. Vented Doors 6. Std. HPL Exterior Finish 7. Shelf Light (s) with Lamp (s) & Shield (s) 8. Casters or Legs (Adds 7 1/2" to Total Height)
93048-36	36" x 34 3/4" x 48"	3	370 lbs.	8 Full/3 Half	

Specifications Subject to change without notice



P. O. BOX 470
Union, MO 63084

Phone: 1.800.325.0775
Fax: 1.636.583.4067