

92500 Series Donut/Pastry Merchandiser



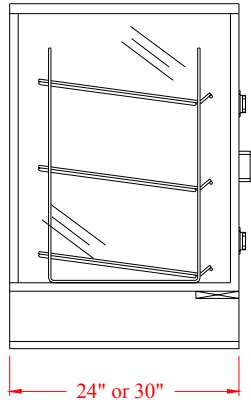
Features & Finishes:

- Anodized Aluminum Frame
- Glass Tops, Ends & Back
- Aluminum Framed, Tempered Glass & Hinged Door (s)
(15" L-2) (29" L-1)
- White HPL Deck and Bag Bin
- White Wire Shelves (3)
- Top Acrylic Signage Panel (Text not included)

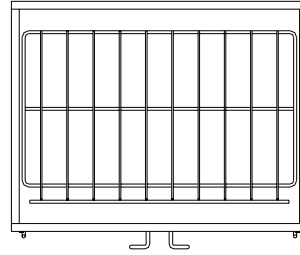
P. O. BOX 470
Union, MO 63084

Phone: 1.800.325.0775
Fax: 1.636.583.4067

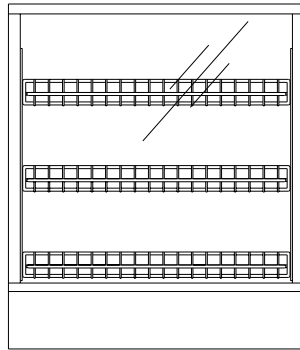
92500 Series Donut/Pastry Merchandiser



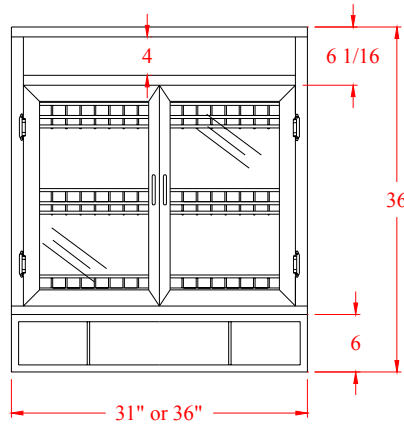
End View



Top View



Front View



Rear View

Model No.	Dimensions: L X D X H	Rows of Shelves	Est. Crated Weight	Case Options:
92531	31" x 24" x 36"	3	210 lbs.	1. "ETL" Sanitation Listed (Conforms to NSF STD-2) 2. Pass Thru (Doors Front & Rear) (Manual-Closing) 3. Self-Closing Doors 4. Full Height Doors 5. Mirror Ends 6. Mirror Back 7. Top Light with Lamp, Shield, Cord, Plug, & Switch 8. Text
92536	36" x 30" x 36"	3	230 lbs.	

Specifications Subject to change without notice

P. O. BOX 470
Union, MO 63084

Phone: 1.800.325.0775
Fax: 1.636.583.4067