

92000 Series Countertop Display Cases



Features & Finishes:

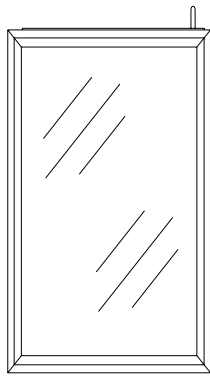
- Anodized Aluminum Frame
- Glass Front, Ends & Tops
- Aluminum Framed, Glass Door (s) (15" L-2)(29" L-1)
- White HPL Deck
- Glass Shelves
- Counter Top Protective Cushions

P. O. BOX 470
Union, MO 63084

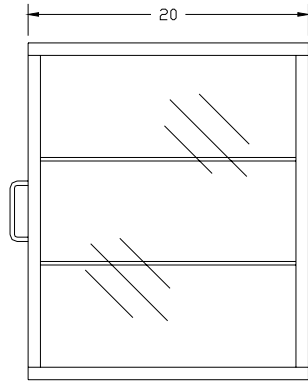
Phone: 1.800.325.0775
Fax: 1.636.583.4067

92000 Series Countertop Display Cases

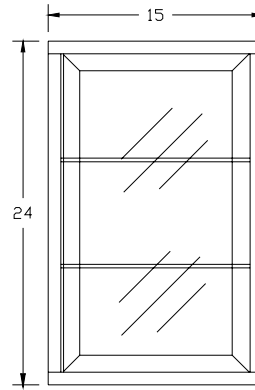
92415



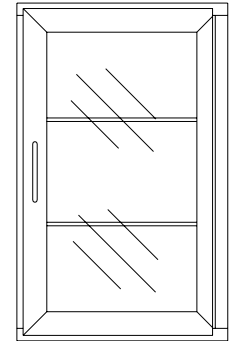
Top View



Side View

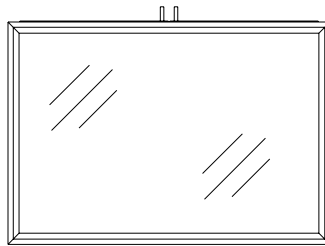


Front View

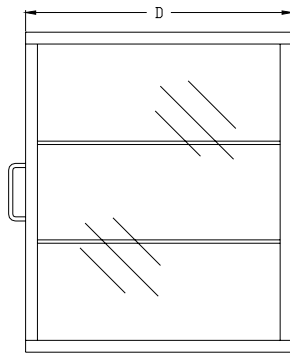


Back View

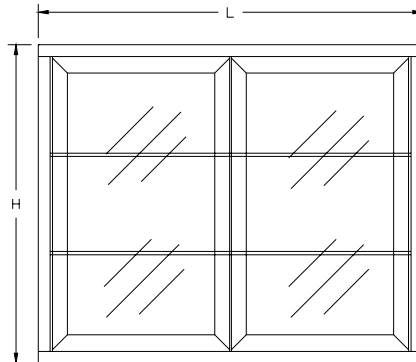
92918, 92429 & 92932



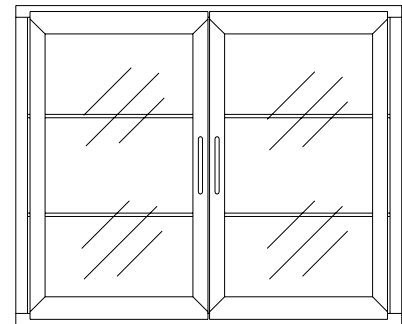
Top View



Side View



Front View



Back View

Model No.	Dimensions:				Rows of Shelves	Est. Crated Weight	Case Options:
	L	X	D	X			
92415	15"	x	20"	x	24"	90 lbs.	1. "ETL" Sanitation Listed (Conforms to NSF STD - 2) 2. Pass - Through Doors Front & Rear (Manual Closing) 3. Acrylic Door (s) and Wire Shelves 4. Mirror Back 5. Extra Glass Shelf
92918	29"	x	20"	x	18"	150 lbs.	
92429	29"	x	20"	x	24"	160 lbs.	
92932	29"	x	20"	x	32"	190 lbs.	

Specifications Subject to change without notice

P. O. BOX 470
Union, MO 63084

Phone: 1.800.325.0775
Fax: 1.636.583.4067